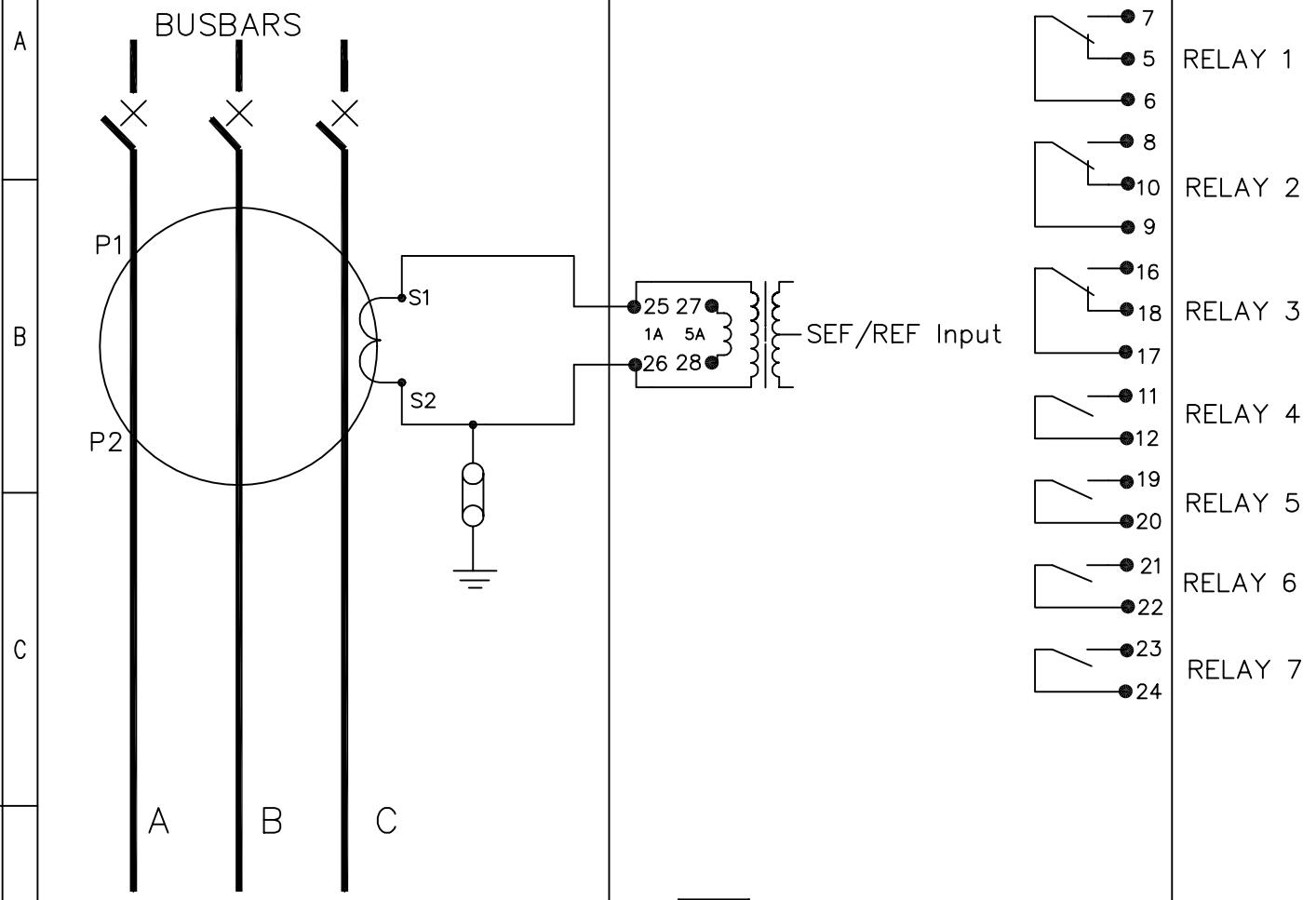


IF IN DOUBT ASK  
DO NOT SCALE

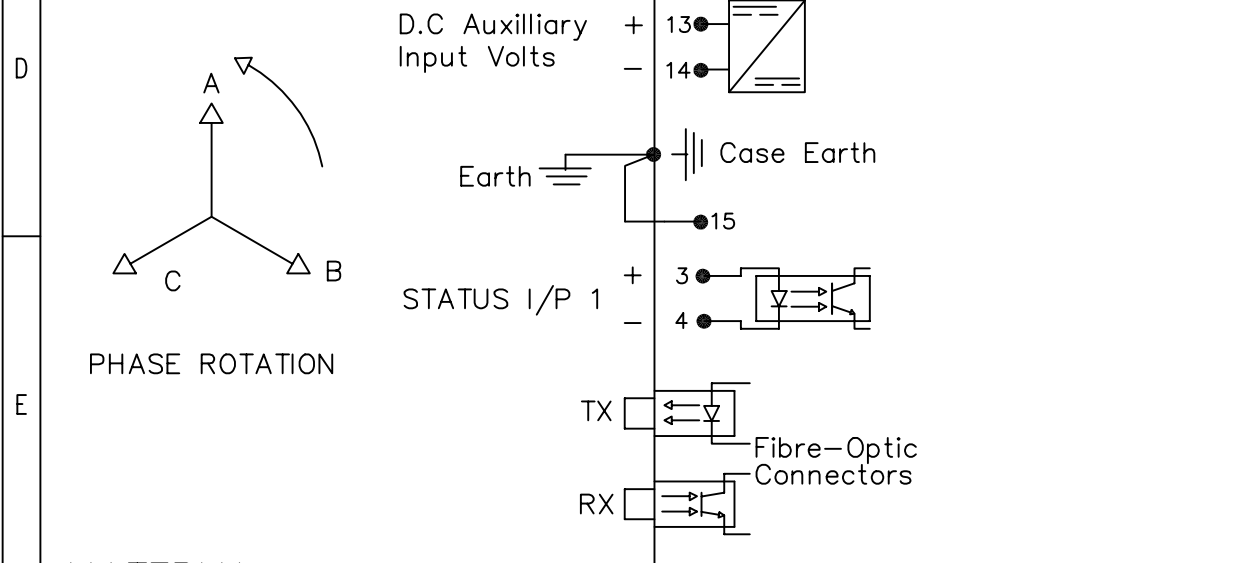
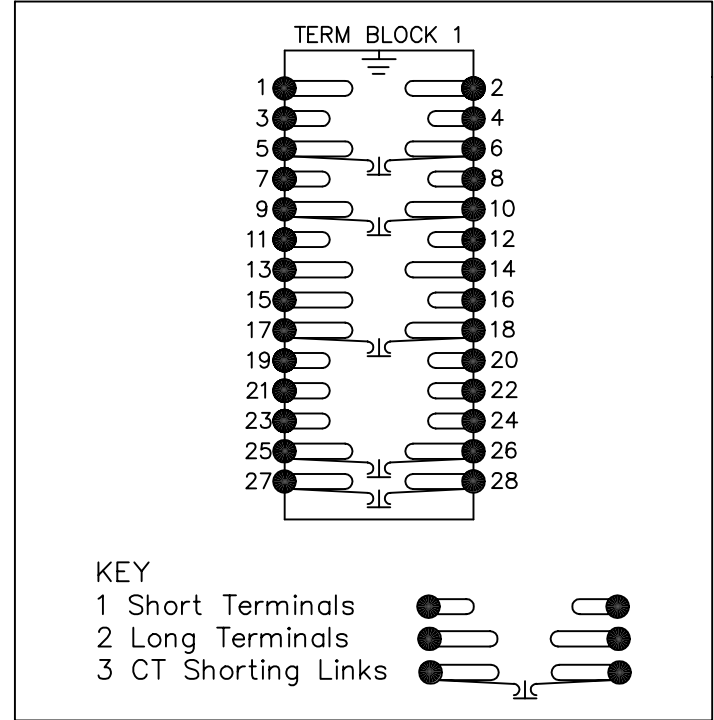
DCD12xA (ARGUS 1) MODULAR SIZE 4 CASE

NOTES

- 1 CT CIRCUITS ARE SHOWN CONNECTED TO RELAY 1 AMP TAP. USE ALTERNATIVE TAP FOR 5AMP RATED CTs.
- 2 CT & EARTH CONNECTIONS ARE TYPICAL ONLY.
- 3 FOR TERMINAL DIAGRAM SEE 2434W50002 (A2)



TERMINAL BLOCKS VIEWED FROM REAR



NOT SUBJECT TO UPDATE  
ONCE COPIED / PRINTED  
OR DOWNLOADED

MATERIAL:

Dimensions in millimetres : Surface texture in micrometres.  
Machine where marked ✓  
For explanation of dimensions, tolerances, notes etc. see B.S.308.  
Limit on untoleranced unmachined dimensions ± \_\_\_\_\_  
Limits on untoleranced machined dimensions to B.S.4500;  
i.e. up to 6±0.1; over 30 to 120±0.3; over 315±0.8;  
over 6 to 30±0.2; over 120 to 315±0.5;  
General unmachined angular tolerance ± \_\_\_\_\_

Finish: \_\_\_\_\_  
Treatment: \_\_\_\_\_

Title: TYPICAL SCHEMATIC DIAGRAM SINGLE POLE SEF/REF  
NUMERIC OVERCURRENT PROTECTION (ARGUS 1) EPSILON

Reyrolle Protection  
Hebburn.

Original Scale: NTS

First used on: \_\_\_\_\_  
Similar Articles: 2434W10013  
Supersedes: \_\_\_\_\_  
Drg. No. 2434W10048

DRAWN M LEASK	CHECKED	APPROVED R.D.WATSON	DATE 23/07/02	IE	OPS	PCP	Purch.Spec. TQ	EAC	CE	STD	A3
---------------	---------	---------------------	---------------	----	-----	-----	----------------	-----	----	-----	----

2	18/4/02	MN434/2292
1	22/11/99	CHANGE NOTED

Copyright © 1999 Reyrolle Ltd.